

# PRE INSTALLATION GUIDE

FÖRINSTALLATIONSGUIDE  
ANLEITUNG VOR DER INSTALLATION  
預安裝指南

FOR

TopWater  
scanomat 



Scanomat  
Architect Pack  
(2D/3D Files)

For TopWater  
Version: 1.0  
01-02-2020



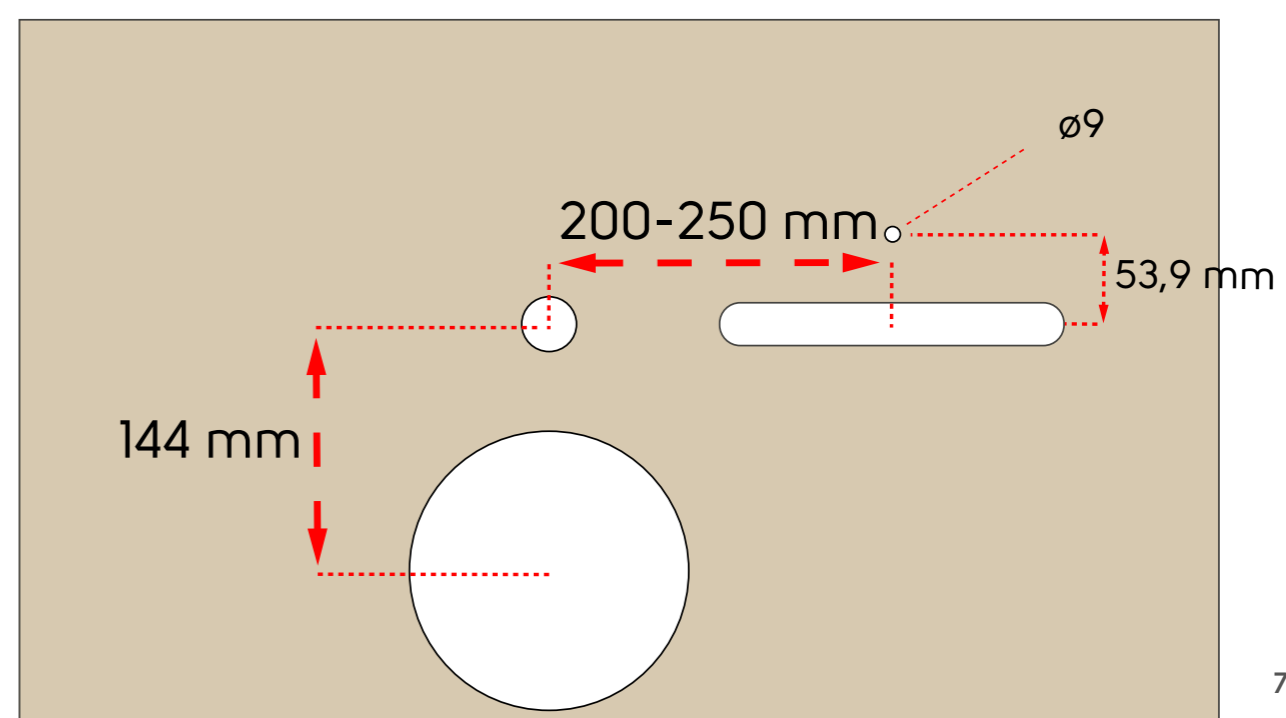
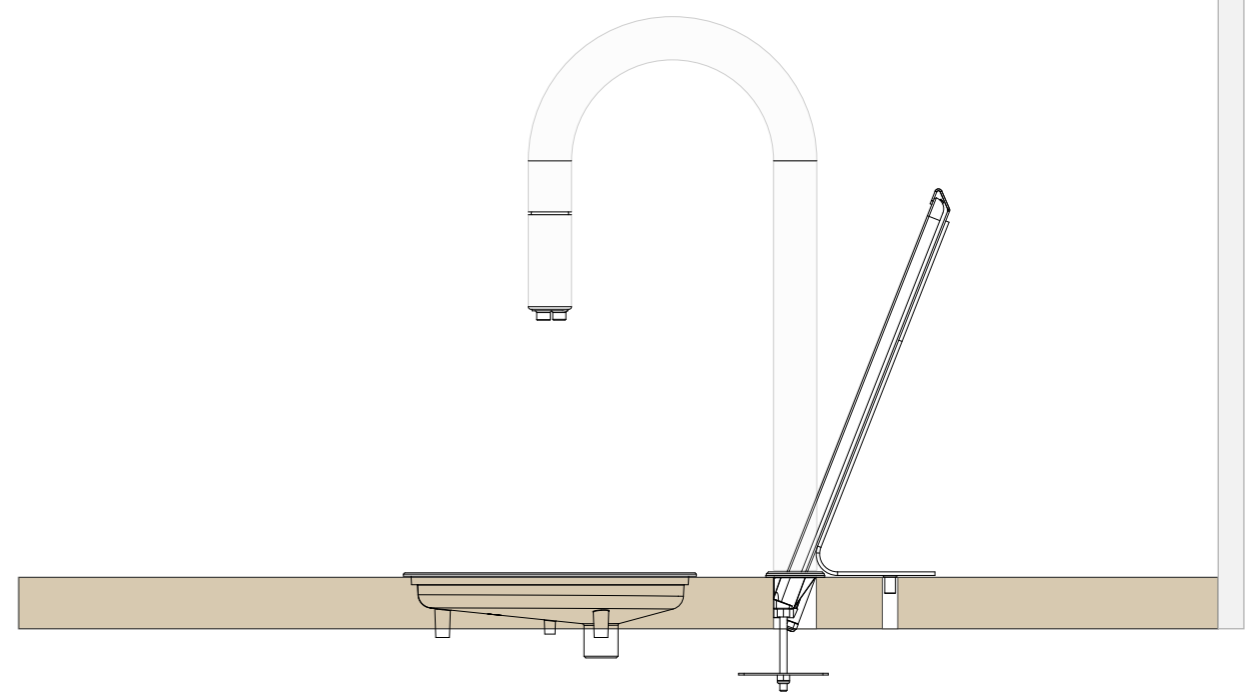
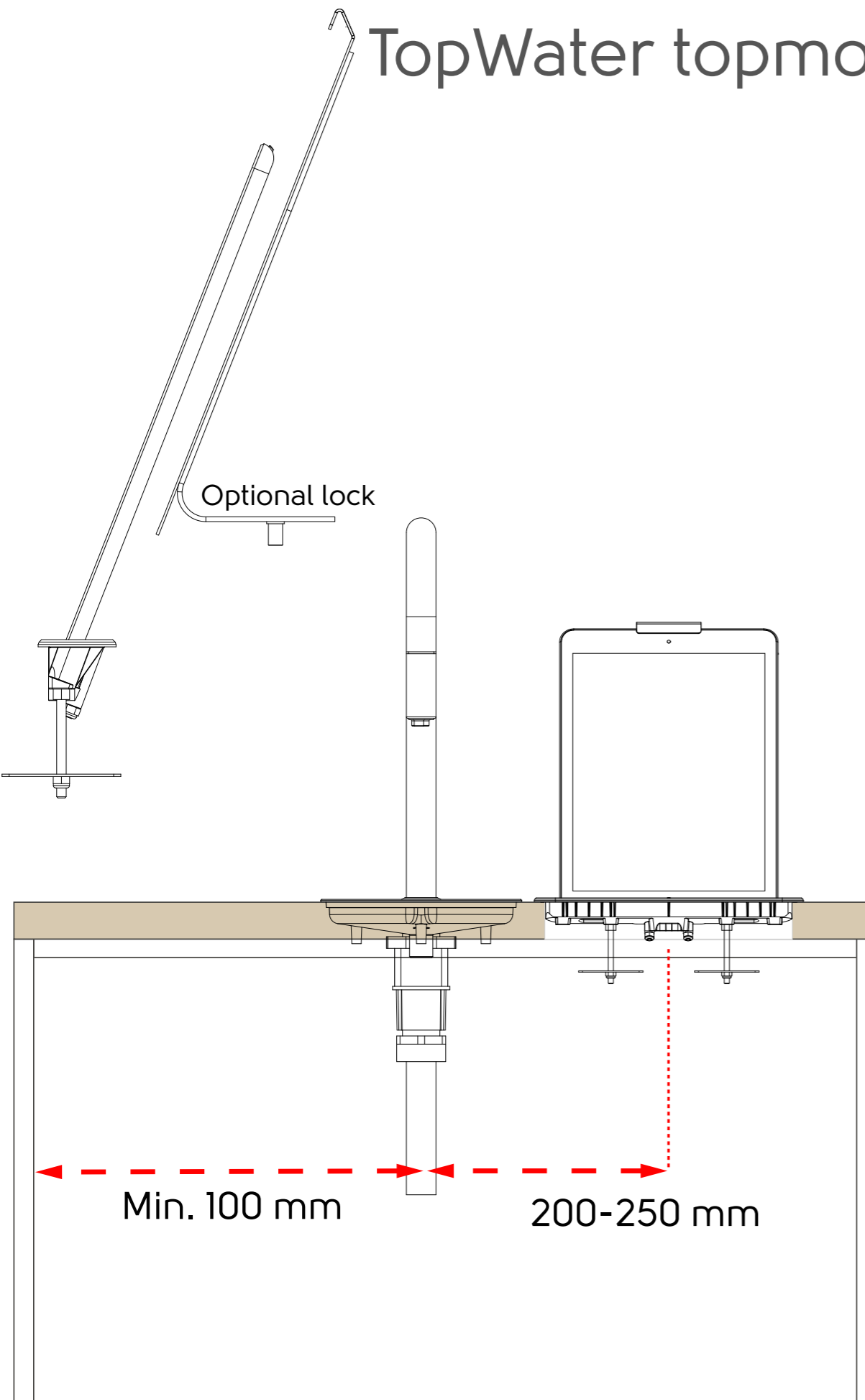




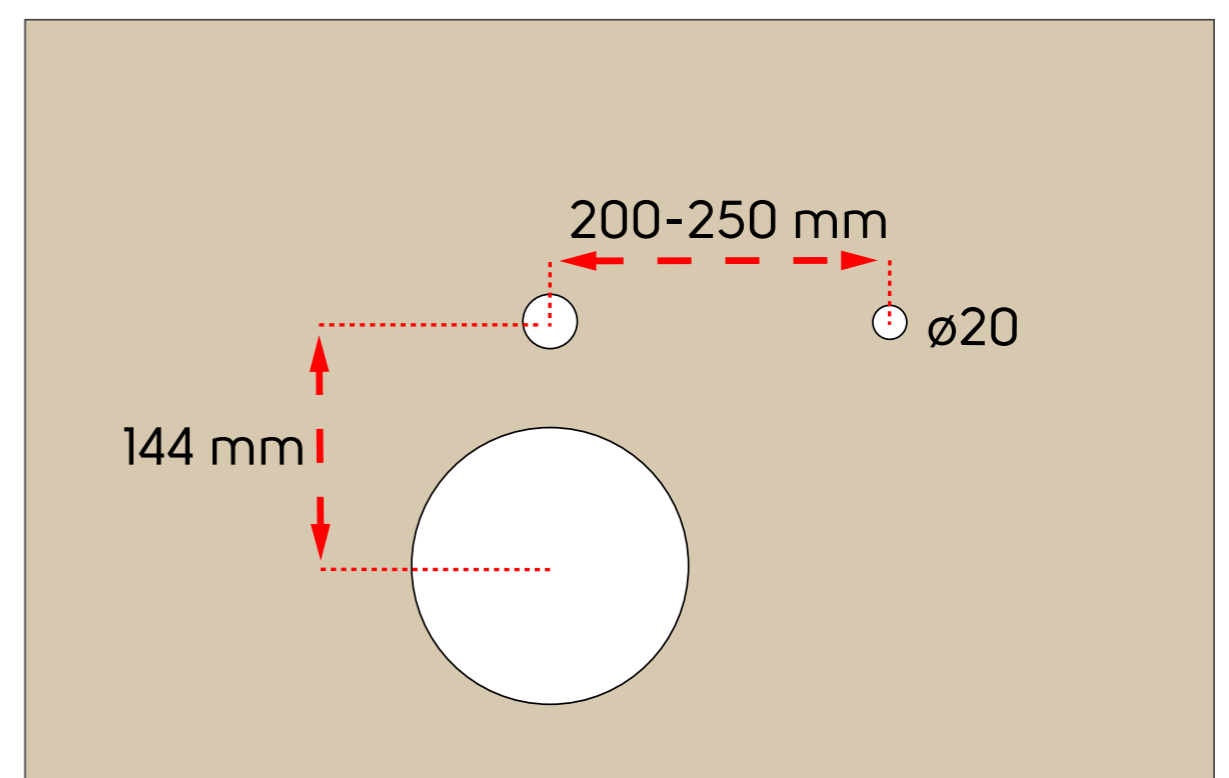
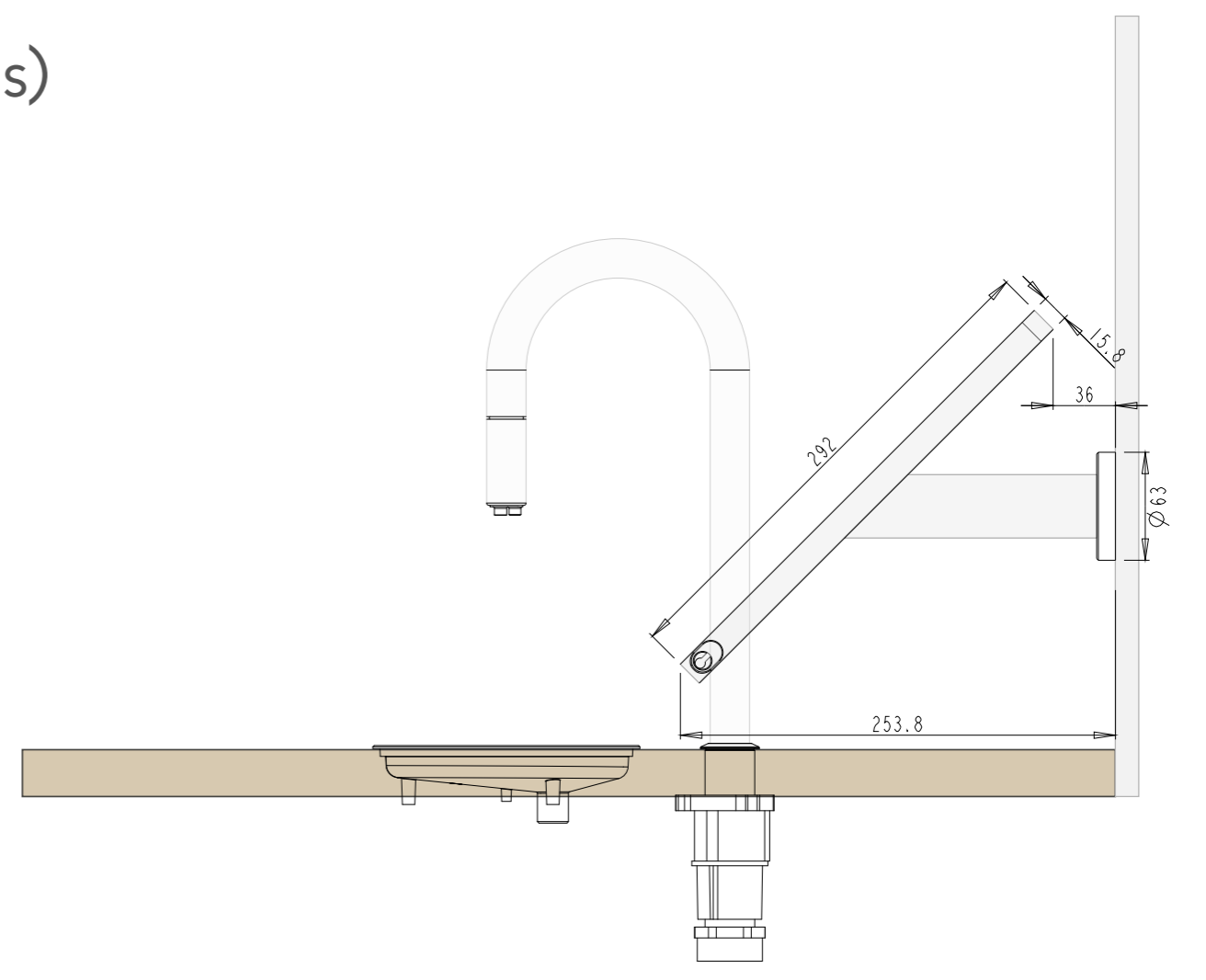
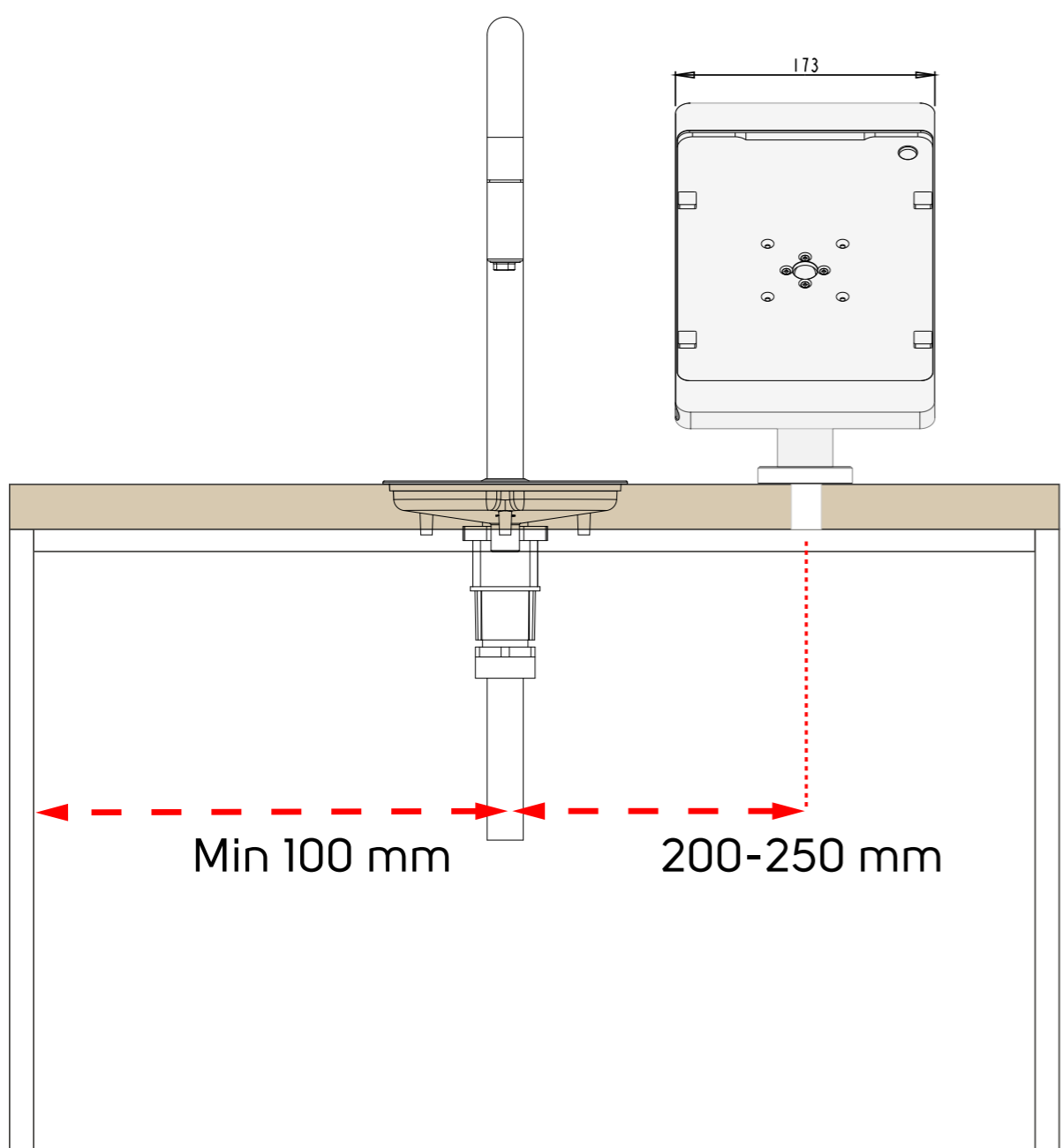




# TopWater topmounted iPad Holder + Lock



# BOXIT (Table Mount or Wall-Mount options)







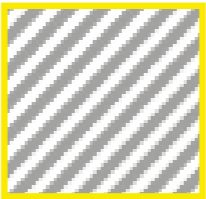
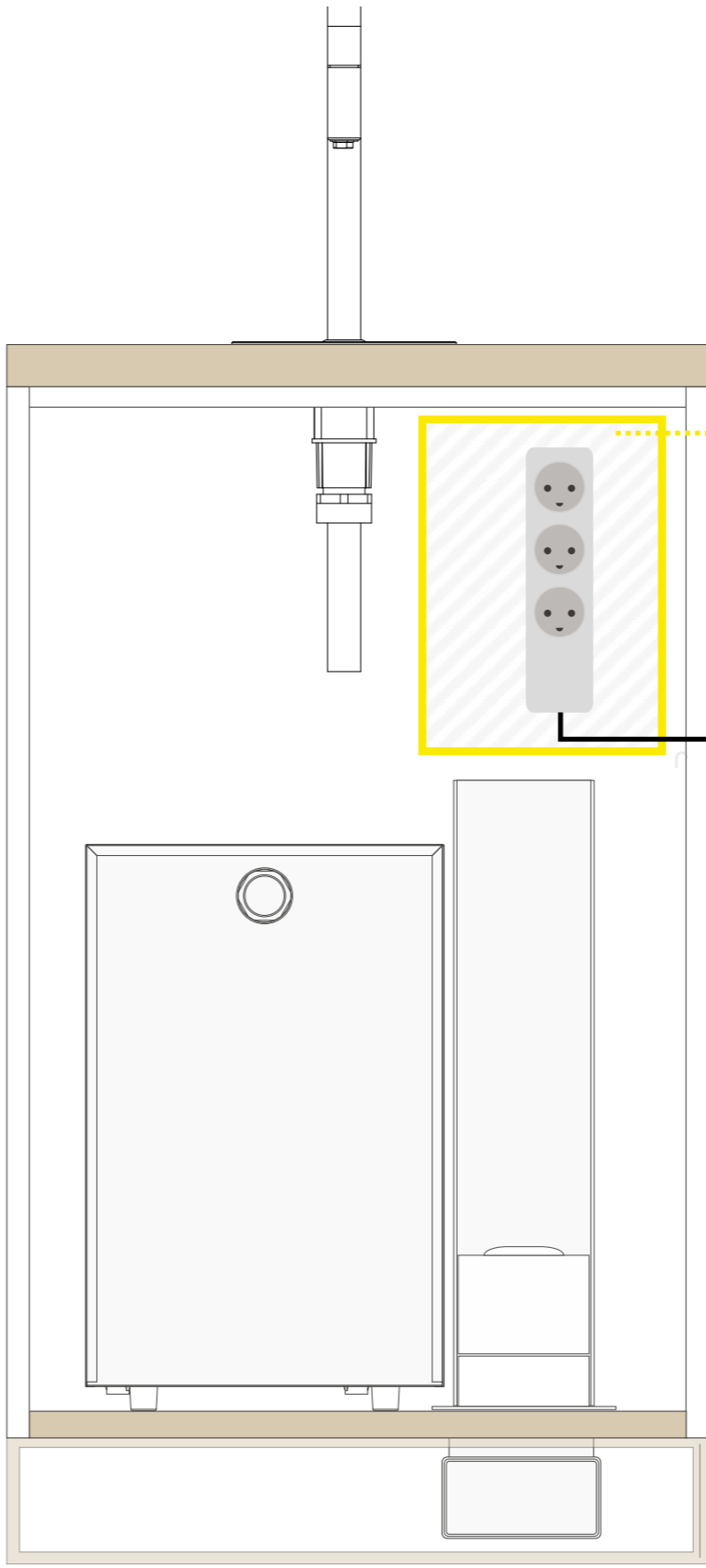
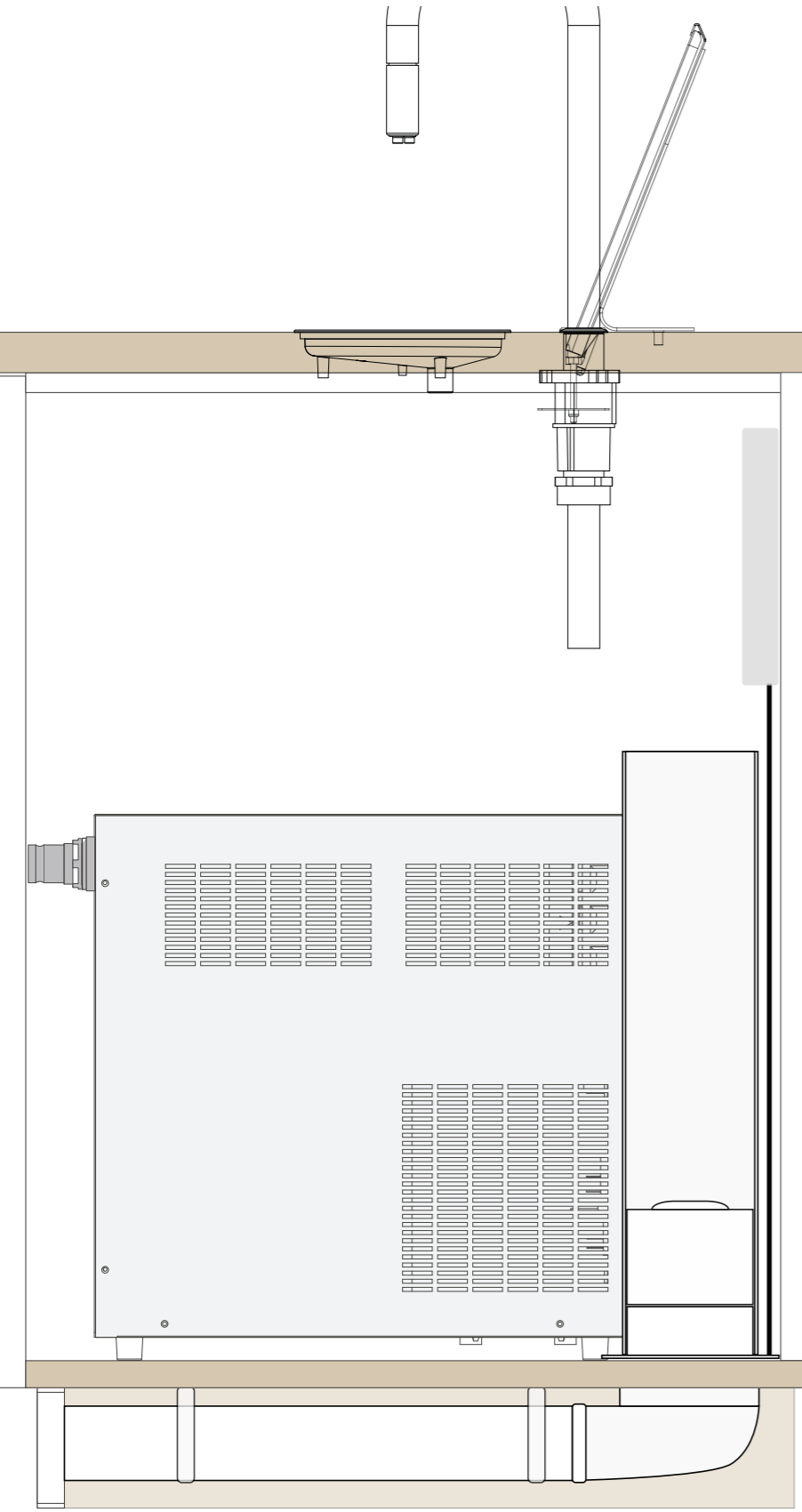
**ELECTRIC**

**ELEKTRISK**

**ELEKTRISCH**

**電的**

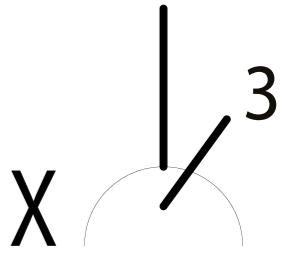
# Electrical Requirements



**IMPORTANT**  
Electrical Installations  
to be placed here

All electrical must be kept within boundary

**Plug point**  
Cooler, Ventilation &  
Optional iPad Charger



Single phase  
230V, 10 amp  
US & Canada:  
Single phase 115V,  
60 Hz, 10 Amp

**PLUMBING**

**VVS**

**KLEMPNERARBEITEN**

**水暖**



# scanomat

coffee solutions for more than 50 years

For more information & questions to your installation,  
contact us on the below channels

## Tecnical / Architect Support

E-mail: [support@scanomat.dk](mailto:support@scanomat.dk)

Chat: [www.scanomat.com](http://www.scanomat.com)

International: +454918180

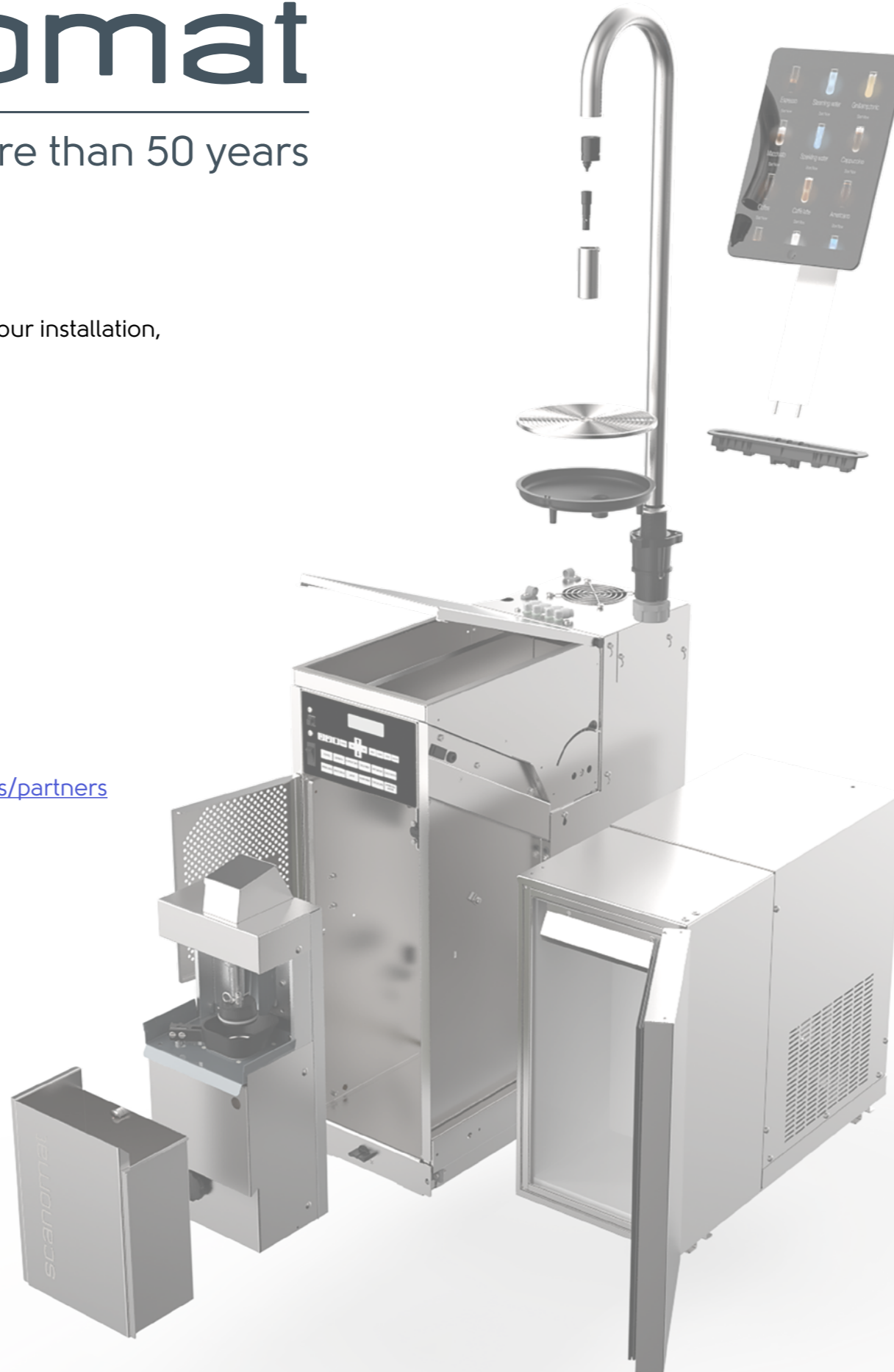
Denmark: +4549181212

Sweden: +46 (0)774 41 0000

Norway: +47 22662210

UK: [architect@scanomat.co.uk](mailto:architect@scanomat.co.uk)

Locate Dealer: [scanomat.com/services/partners](http://scanomat.com/services/partners)



For TopWater  
Version: 1.0  
01-02-2020